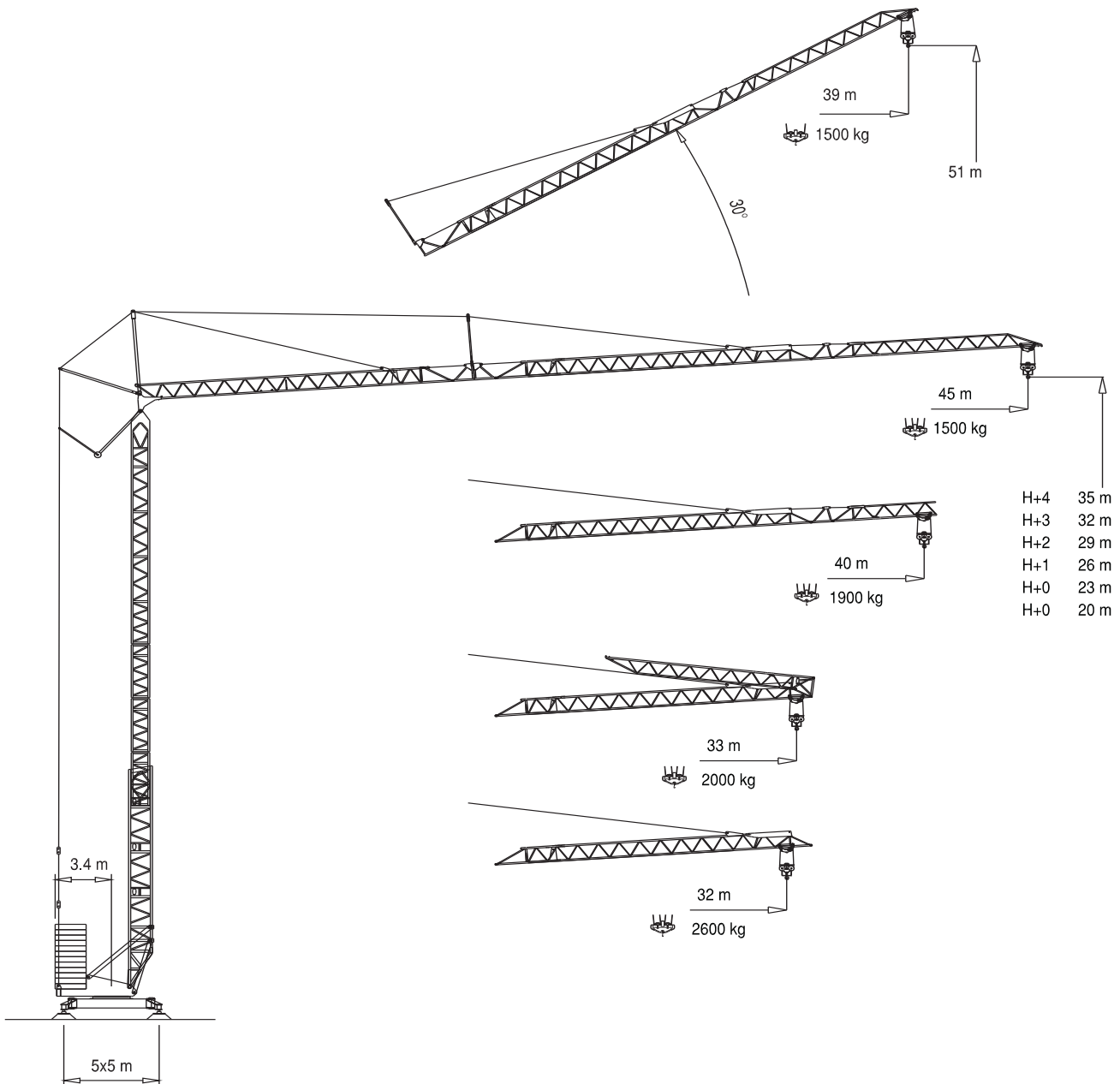


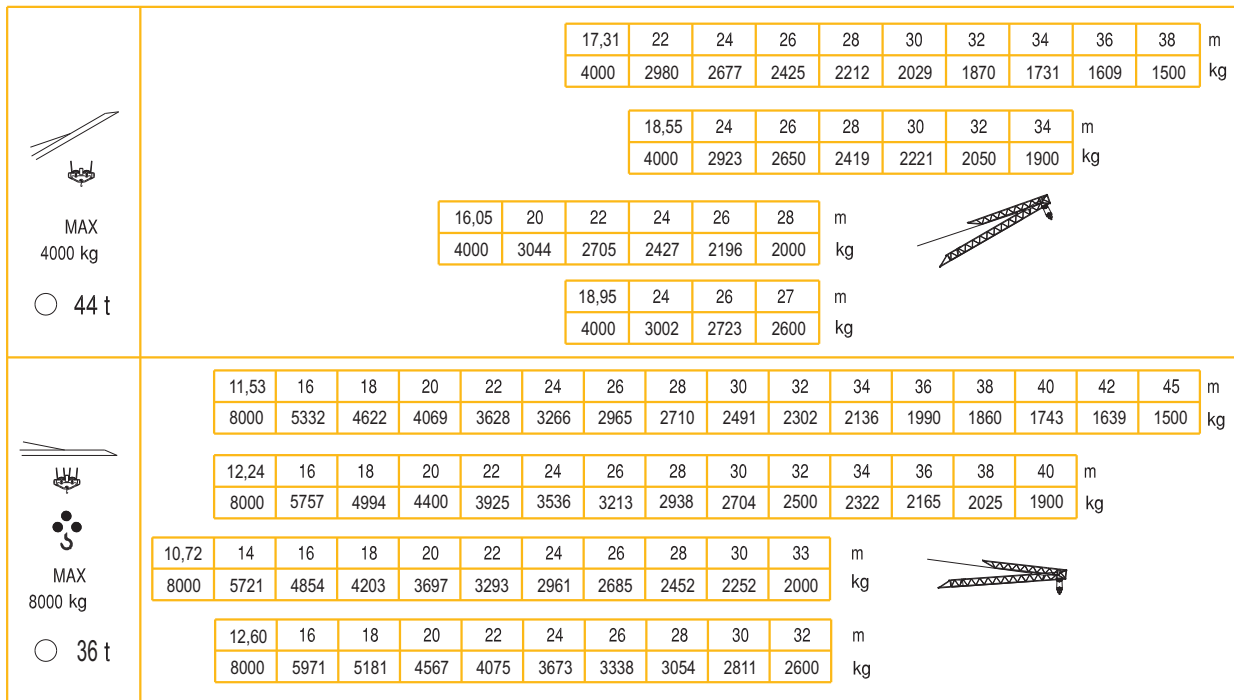
SELF ERECTING CRANE



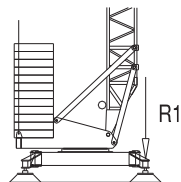
CE EN 14439 C25 D25
EN 14439 C50 D50
FEM 1.001 A3

Product specifications and prices are subject to change without notice or obligation. The photographs and/or drawings in this document are for illustrative purposes only. Refer to the appropriate Operator's Manual for instructions on the proper use of this equipment. Failure to follow the appropriate Operator's Manual when using our equipment or to otherwise act irresponsibly may result serious injury or death. The only warranty applicable to our equipment is the standard written warranty applicable to the particular product and sale and Irmãos Tavares 2 makes no other warranty, express or implied. Products and services listed may be trademarks, service marks or trade-names of Irmãos Tavares 2 and/or its subsidiaries in Portugal and other countries and all rights are reserved.

LOAD DIAGRAM



REACTIONS



R1 ● 41 t ■ 32 t

▲ 22.5 t

●	■	▲	○
---	---	---	---

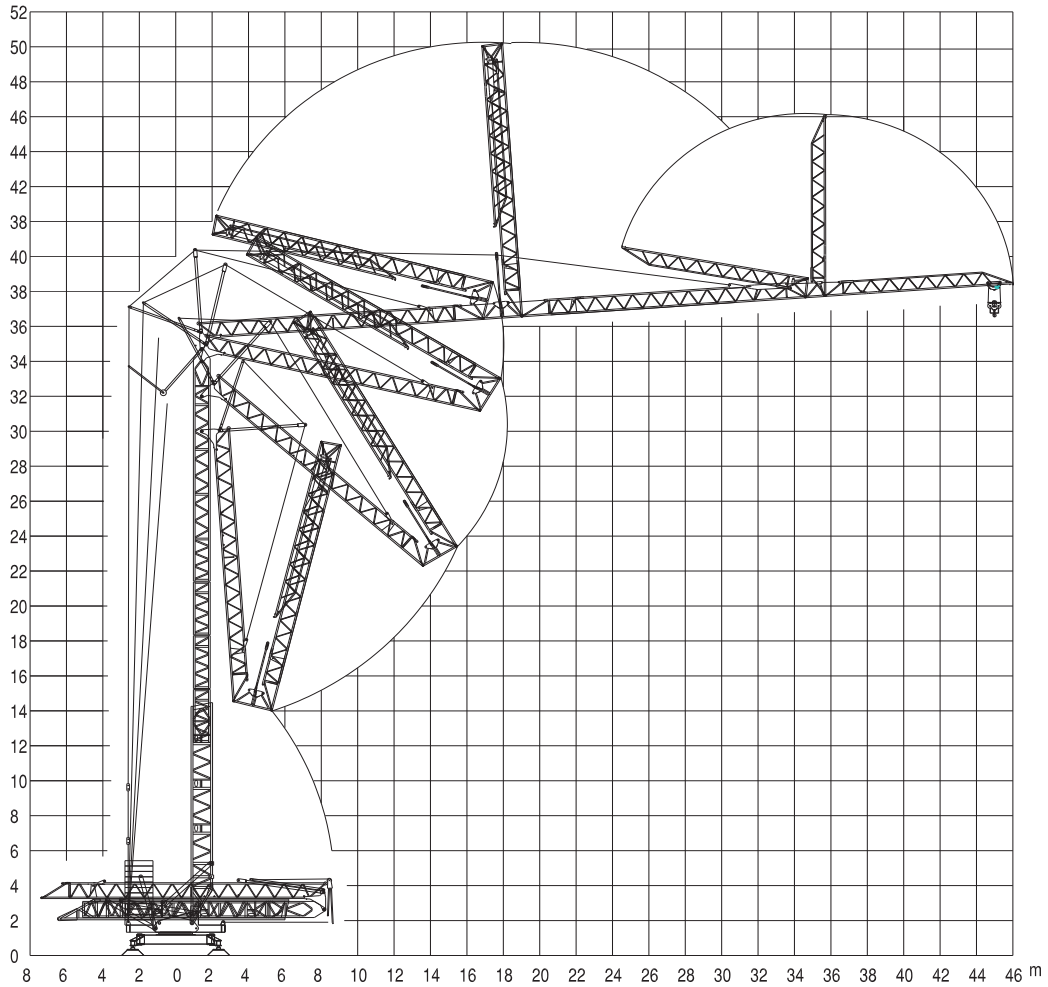
Reactions in service

Reactions out of service

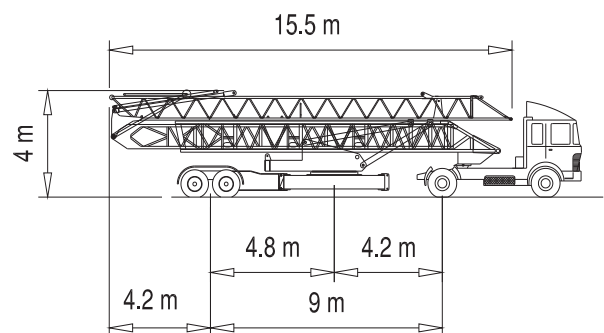
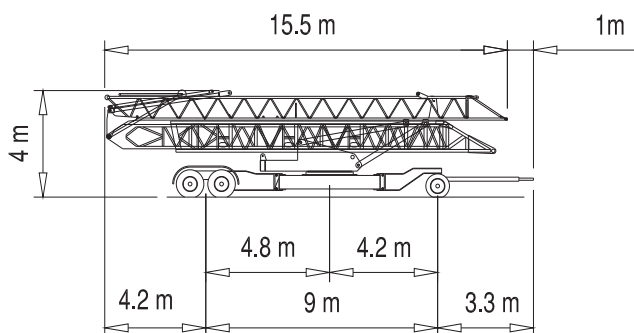
Dead weight without transport axles

Ballast weight

ASSEMBLY



TRANSPORT



IT at 4515-8hc

MECHANISMS

		m/min	kg	kW
		1ª	5,4	4000
		2ª	31	4000
		3ª	62	2000
		1ª	2,7	8000
		2ª	15,5	8000
		3ª	31	4000
		0 —————> 48 m/min		5,5
		0 —————> 0.8 rpm		2x3,5
		0 —————> 25 m/min		2x3

CEI 38	IEC 38	kVA	
400V (+6% -10%) 50Hz		50 kVA	2000 / 14 / CE

Hoisting	Trolleying	Slewing	Travelling	Travelling	Power requirements	Directive on noise level

